

IR **PAD**

Infrared motion sensor



USER MANUAL

The IR Pad detects the movement of hot moving elements (people or animals).

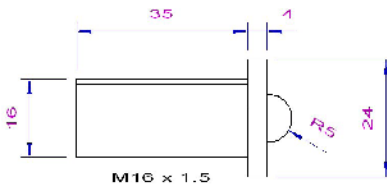
After an initialization period of up to 1 minute during which the output status of the IR Pad is undetermined, the IR Pad becomes stable and ready to normally detect the movements. The status of the output of the IR Pad is then open.

When motion is detected, the output status of the IR Pad is closed. It will remain closed for 8 seconds (with a tolerance of + or - 30%) after the last motion detection before returning to its open state.

IR PAD mount :

The motion sensor is expected to be integrated in a wall, board, plasterboard...

Drilling diameter: 16.5mm

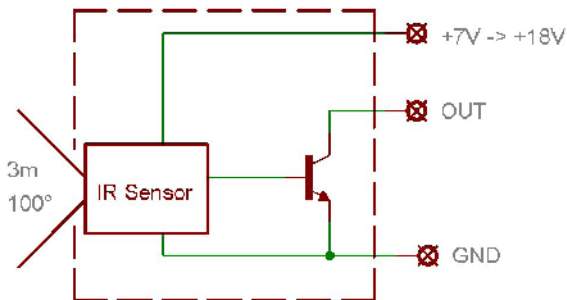


Connection :

Red wire: Power + (+V) - 7V to 18V

Black wire : Power - (GND)

Yellow wire: Output (OUT)



Specifications :

- Infrared motion sensor for hot moving elements
- Output: Open collector transistor 30v/50mA
- Reach of detection: up to 3 m
- Angle of detection: <math><100^\circ</math>
- Sensor initialisation time after power on : 20 seconds to 1 minute.
- Deactivate time after the last detection : 8 seconds +/- 30%
- Sensor output : NO Normaly Open (Open with no detection)
- Power: 7V to 18 VDC
- Low consumption (<math><100\mu\text{A}</math> in sleep mode)
- External diameter: 24 mm
- Integration: Lenght 35mm / M16
- Lens diameter: 10 mm



The ID-AL products are exclusively manufactured by Waves System.

Waves System

La Ville en Bois
44830 BOUAYE
FRANCE

Sales and informations: +33 (0)2 40 78 22 44

E-mail: info@wssystem.com

Website: www.id-al.com

Technical support: support@wssystem.com

For a detailed list of the technical support options, please visit the website: www.id-al.com.

Information in this manual is subject to change without notice and does not represent any commitment from Waves System. The equipment described in this manual is supplied under condition of the terms of license specifying the legal use conditions. This manual may not be reproduced or used, in whole or in part, in any form and by any means, for other use than private, without the written permission from Waves System.

ID-AL is a trademark of Waves System.